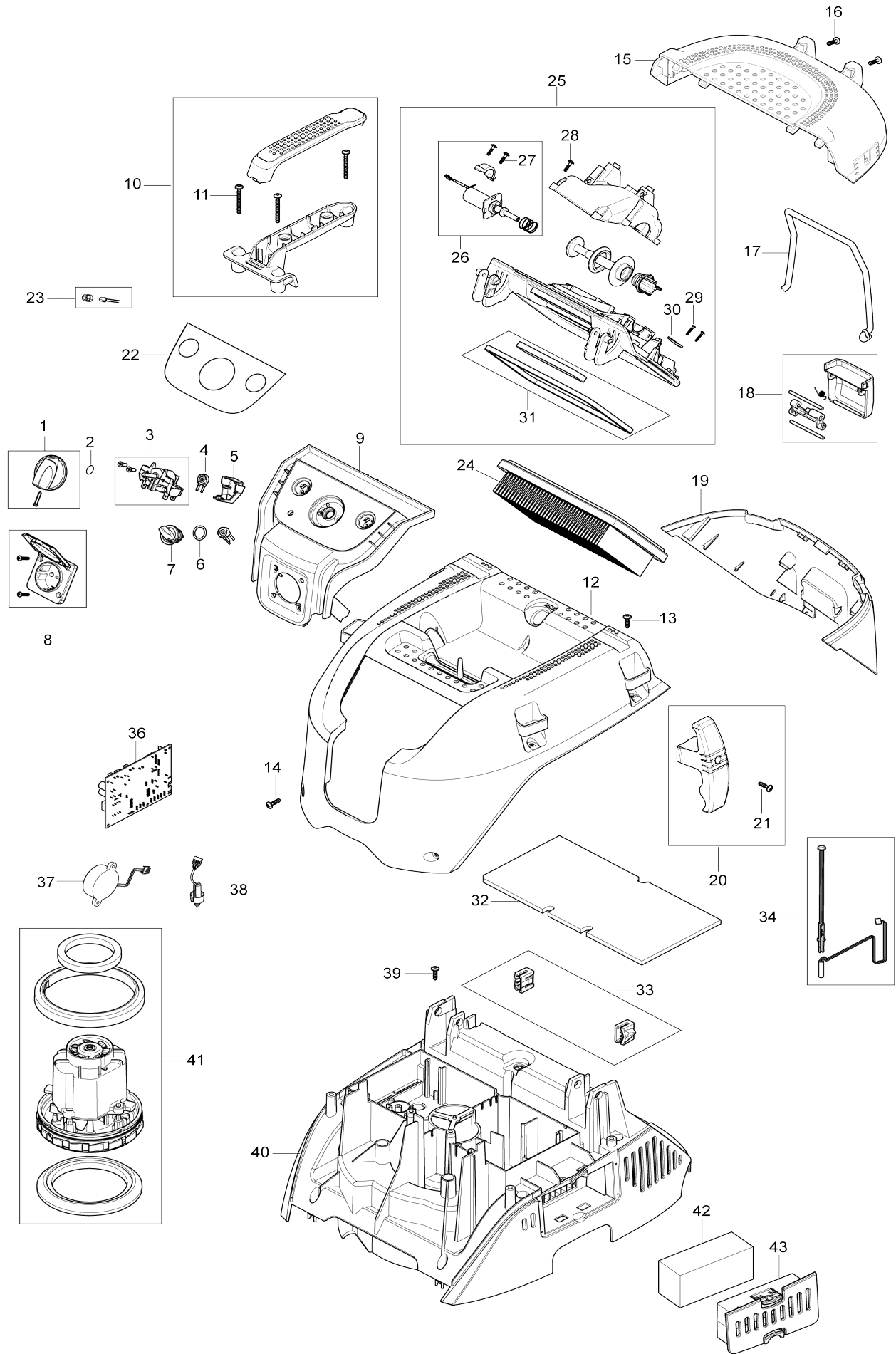
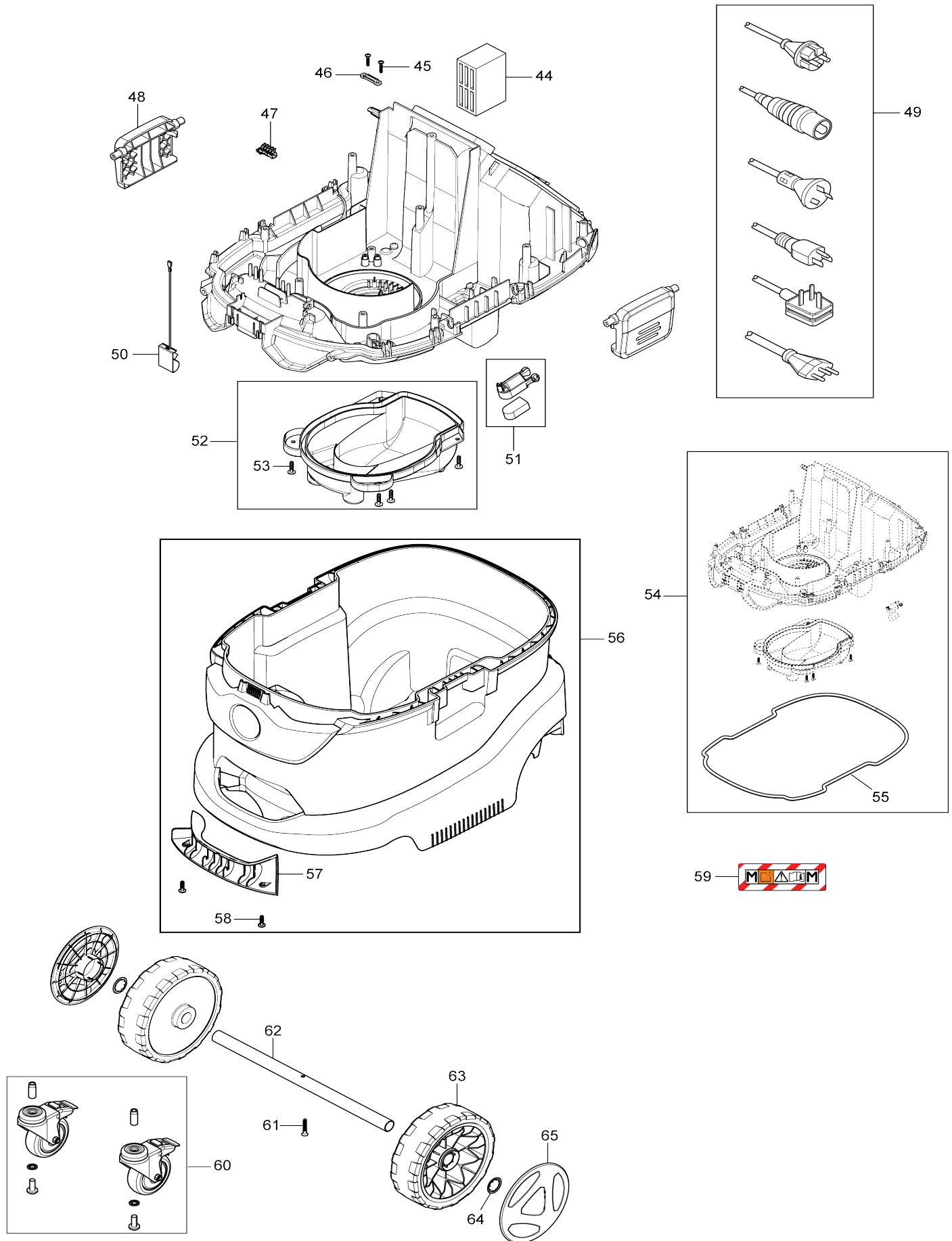


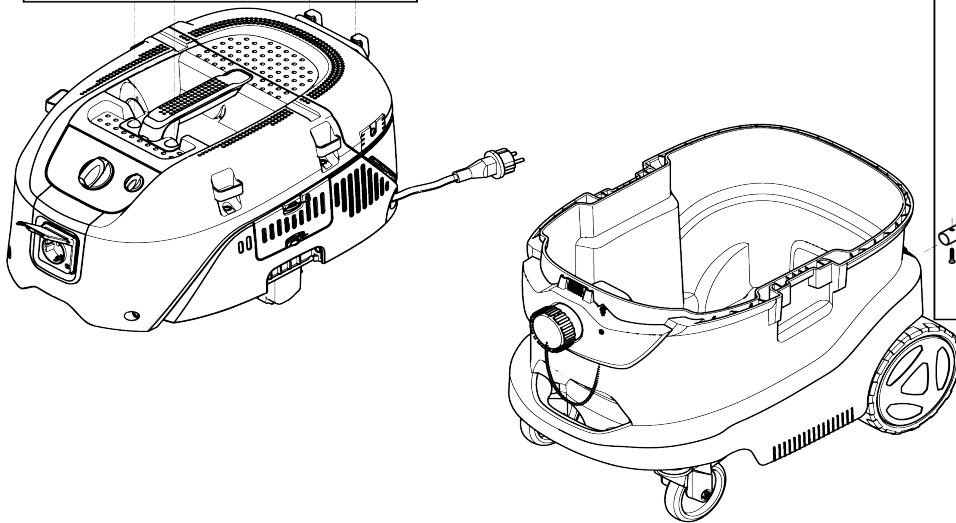
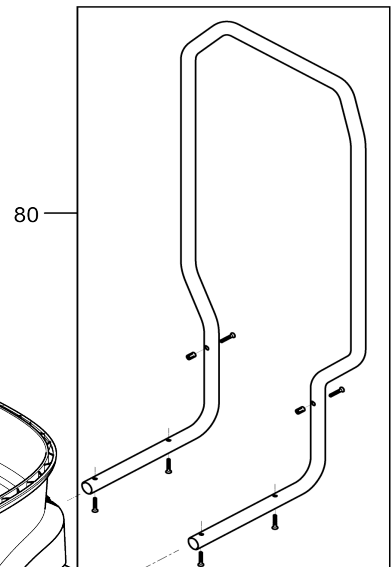
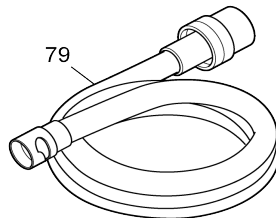
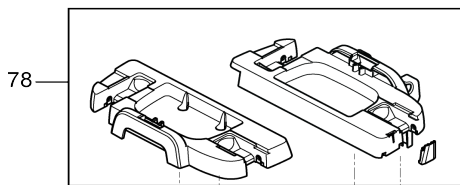
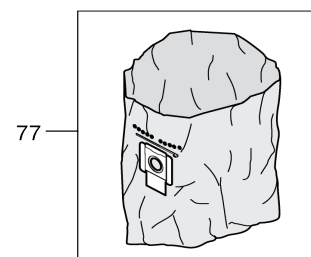
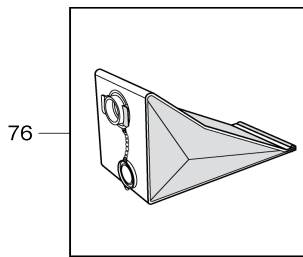
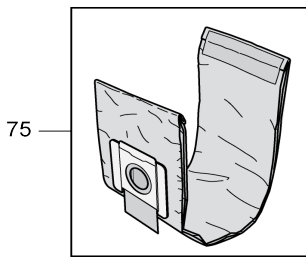
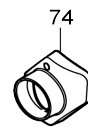
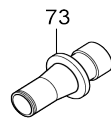
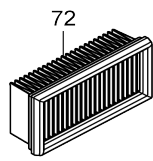
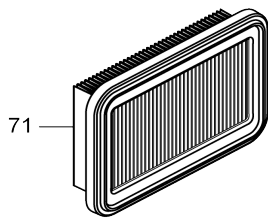
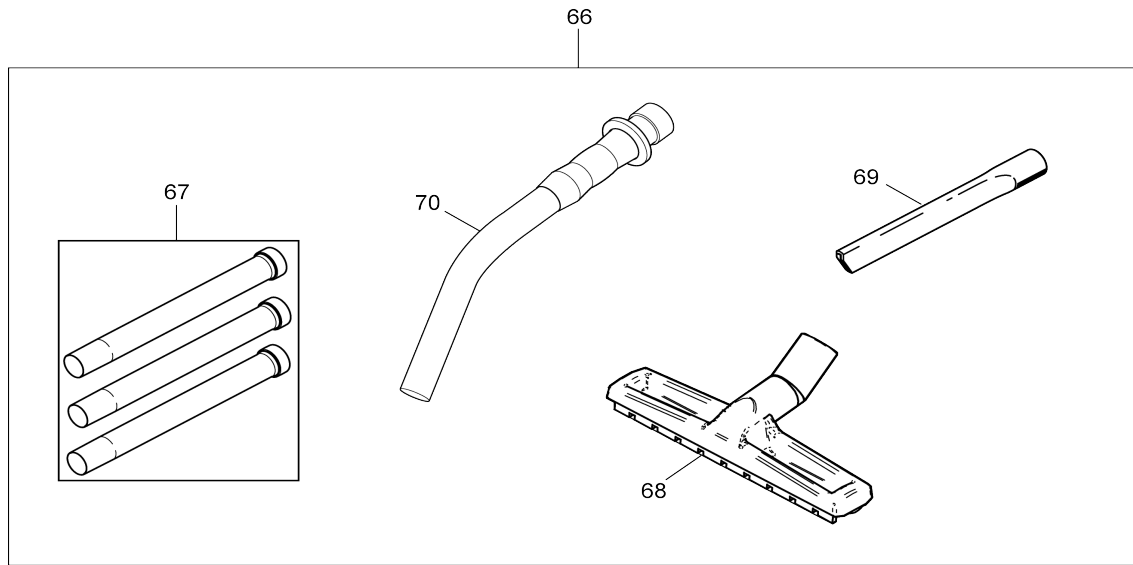
# Model No.VC4210M VACUUM CLEANER



# Model No.VC4210M VACUUM CLEANER



Model No.VC4210M VACUUM CLEANER



# Model No.VC4210M VACUUM CLEANER

Item No.	Parts No.	Description	Interchangability	Q'ty	New/Old	Note1	Note2
001	W909100222	SWITCH KNOB MAKITA BLUE		1			
002	W9868	O-RING 10x2.5 NBR70		1			
003	W107415085	ROTARY SWITCH 5POS. 16A		1			
004	W107415024	POTENTIOMETER		3			
005	W107415080	CAP FOR POTENTIOMETER		1			
006	W107417587	O-RING 16X2		2	*		
007	W107418673	SWITCH KNOB		2	*		
007-1	W107416106	SWITCH KNOB	S	2			
008	W302004034	SOCKET *EU* - CEE7/4		1			
009	W107418671	CONTROL PANEL VC4210M		1			
010	W107418217	HANDLE KIT		1			
D10		INC. 11					
011	W128500203	SCREW K50X45		3			
012	W107418665	MAKITA TOP COVER		1			
013	W302004029	SCREW 5X18 TX20		4			
014	W302004029	SCREW 5X18 TX20		2			
015	W107418666	UPPER COVER		1			
016	W302004029	SCREW 5X18 TX20		2			
017	W107415035	CORD STRAP FOR CABLE		1			
018	W107415032	HATCH DOOR CLAMP		1			
019	W107418667	LOWER COVER		1	*		
019-1	W107415029	LOWER COVER	X	1			
020	W107415083	HOSE/CABLE HOOK		2			
D10		INC. 21					
021	W302004029	SCREW 5X18 TX20		2			
022	W107418672	CONTROL PANEL LABEL VC4210M		1			
023	W107415087	LED AIR CONTROL KIT 2PCS		1			
024	W107413540	MAKITA FLAT FILTER		1			
025	W107415027	FILTER RETAINER ASSY 220-240V		1			
D10		INC. 26,28-31					
026	W107415031	SOLENOID KIT 220-240V		1			
D10		INC. 27					
027	W302004029	SCREW 5X18 TX20		2			
028	W302004029	SCREW 5X18 TX20		7			
029	W302004032	SCREW 3,5X18 TX10		2			
030	W5697	STRAP 3X8X33		1			
031	W107415090	HATCH DOOR FILTER GASKET		1			
032	W107417101	FOAM SEALING 298X148		1			
033	W107415075	HINGE SNAP 2PCS.		1			
034	W107415060	REED SENSOR		1			
036	W107417103	PCBA AUTO ON/OFF 220-240V		1			
037	W107416958	BUZZER KIT VC4210M		1			
038	W107416952	FLOW SENSOR		1			
039	W302004029	SCREW 5X18 TX20		10			
040	W107418670	AIRGUIDE		1			
041	W107415055	MOTOR 220-240V		1			
042	W107415096	DIFFUSOR		1			

043	W107418669	AIRGUIDE		1	*		
043-1	W107415052	COVER FOR MOTOR COOLING FILTER	X	1			
044	W107417112	SOUND ABSORBER 83X55X35		1			
045	W302004032	SCREW 3,5X18 TX10		2			
046	W302004030	STRAP FOR CORD		1			
047	W302004031	TERMINAL STRIP 6-POL 16A		1			
048	W107415053	CONTAINER CLAMP		2			
049	W107400573	POWER CORD EU		1			
050	W107417113	CONTACT SPRING W.WIRE		2			
051	W107415063	FLOATER WITH MAGNET		1			
052	W107415061	AIR FLOW COVER KIT		1			
D10		INC. 53					
053	W1814614	PT-SCREW K50X18 T20		4			
054	W107415074	BASE PLATE ASSEMBLY		1			
D10		INC. 55					
055	W107415050	CONTAINER SEALING		1			
056	W107418663	MAKITA CONTAINER 42L		1	*		
D10		INC. 57,58					
056-1	W107418663	MAKITA CONTAINER 42L	O	1			
D10		INC. 57,58,60-65					
057	W107417124	HANDLE INNER		1			
058	W302004029	SCREW 5X18 TX20		2			
059	W302004201	LABEL >DUST CLASS M<		1			
060	W107417573	CASTOR WHEEL D100 W.BRAKE 2 PCS		1			
061	W107417864	SCREW K50X35 T20		1			
062	W302004022	WHEEL AXLE		1			
063	W107417121	WHEEL D175		2			
064	W47302	CLAMPING RING FOR WHEEL		2			
065	W107418043	WHEEL CAP D145		2			
066	W107418349	MAKITA CLEANING SET		1			
D10		INC. 67-70					
067	W107418350	MAKITA EXTENSION TUBES		3			
068	P-81789	FLOOR NOZZLE D36X300 WET/DRY		1			
069	W6084	CREVICE NOZZLE 35x300		1			
070	P-70346	CURVED HAND TUBE INOX		1			
071	W107418351	PTFE FLAT FILTER VC4210L/M		1			
072	W107418352	MOTOR COOLING FILTER PET		1			
073	P-70378	TOOL ADAPTER 27 QUICKSYSTEM		1			
074	W107418358	EXHAUST AIR ADAPTER		1			
075	W107418353	FLEECE FILTER BAGS VC4210L/M		5			
076	W107418354	LONG-LIFE FILTER BAG		1			
C10	W107419626	C-PROFILE		1			
077	W107418355	DISPOSAL BAGS		5			
078	W107418357	MAK PAC HOLDER		2			
079	P-70421	ADAPTOR 35/38		1	*		
D10		INC. 082					
079-1	P-84084	SUCTION HOSE 32MM4M BLK AS CPL	X	1			
D10		INC. 082					

080	W107418356	METAL HANDLE		1			
081	W107418688	TOOL ADAPTER 38		1			
082	W107417866	HOSE CONNECTOR CLICK SYSTEM 32		1			
083	W000014775	HOSE INLET PLUG		1	*		
083-1	W107420435	HOSE INLET PLUG SET	S	1			
084	W000024738	SCREW		1	*		
085	W000030081	CHAIN		1	*		
085-1	W107419668	RUBBER STRAP	O	1	*		
A01	P-70421	ADAPTOR 35/38		1			

Please state Parts No. when your order.

Print Date 09/07/2024