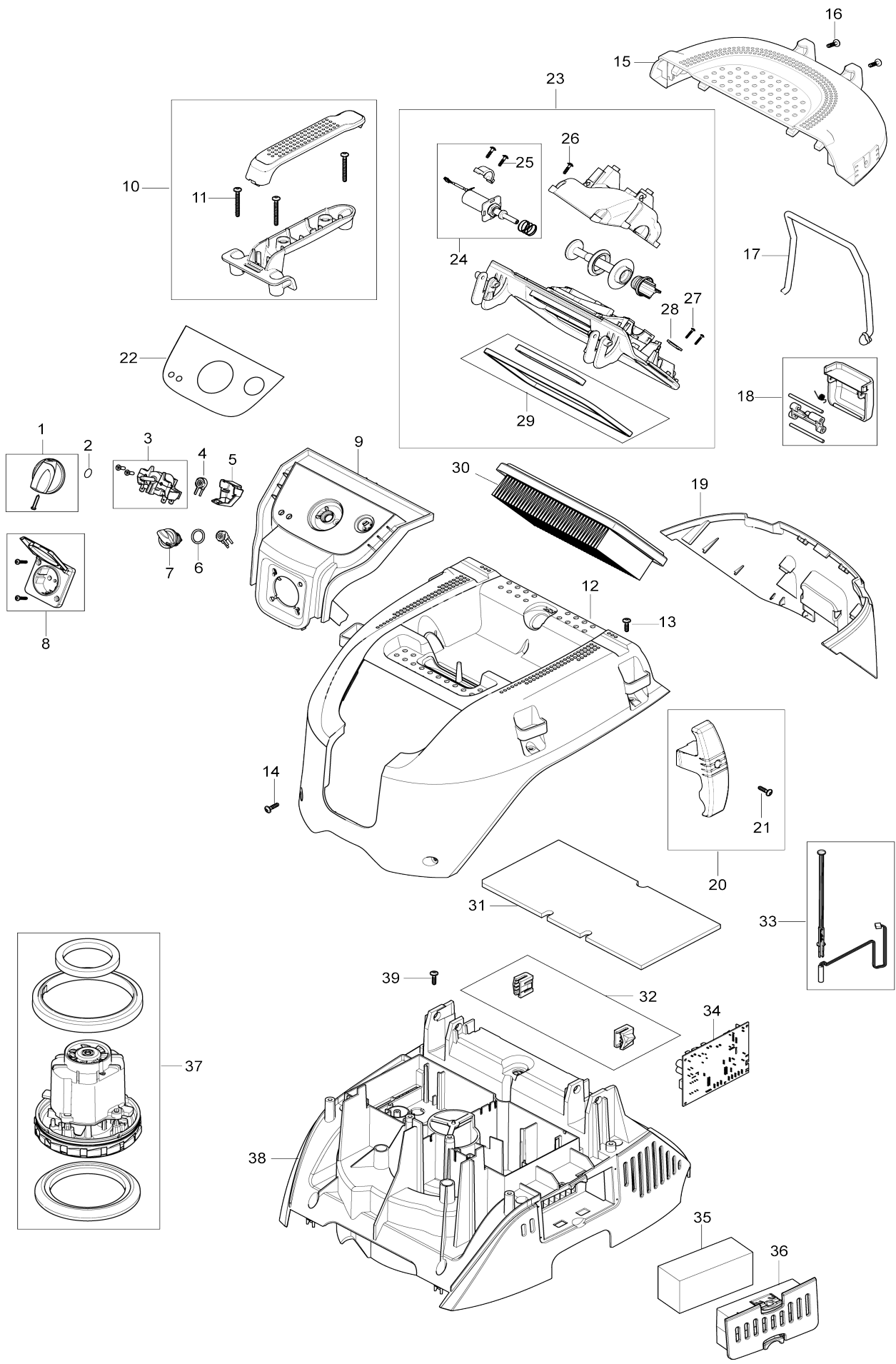
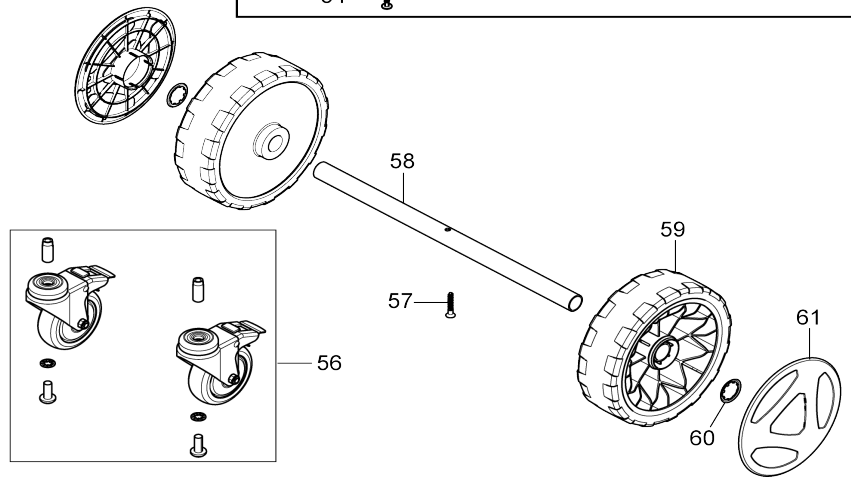
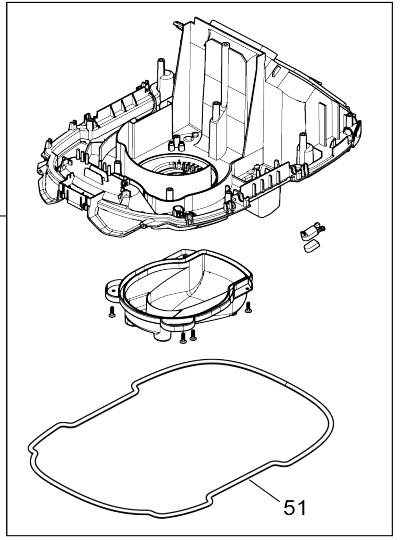
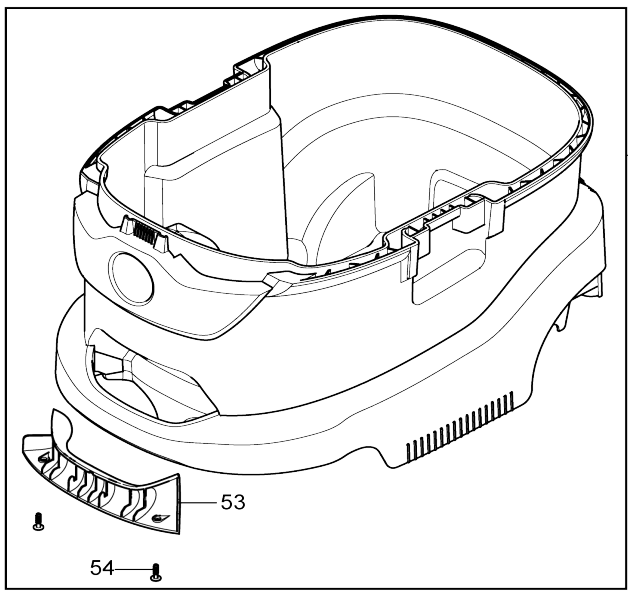
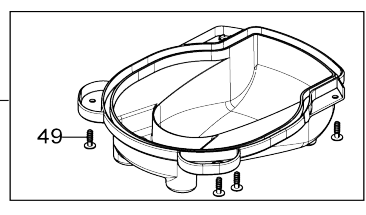
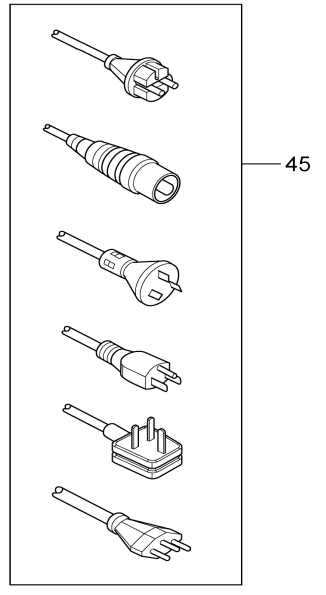
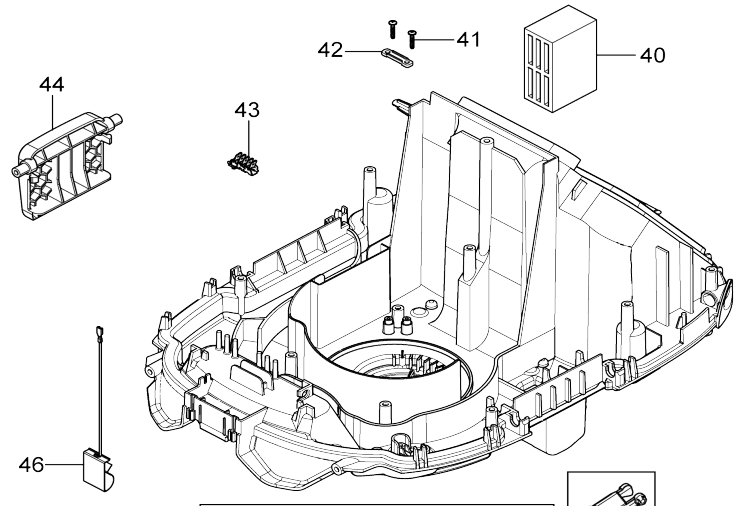


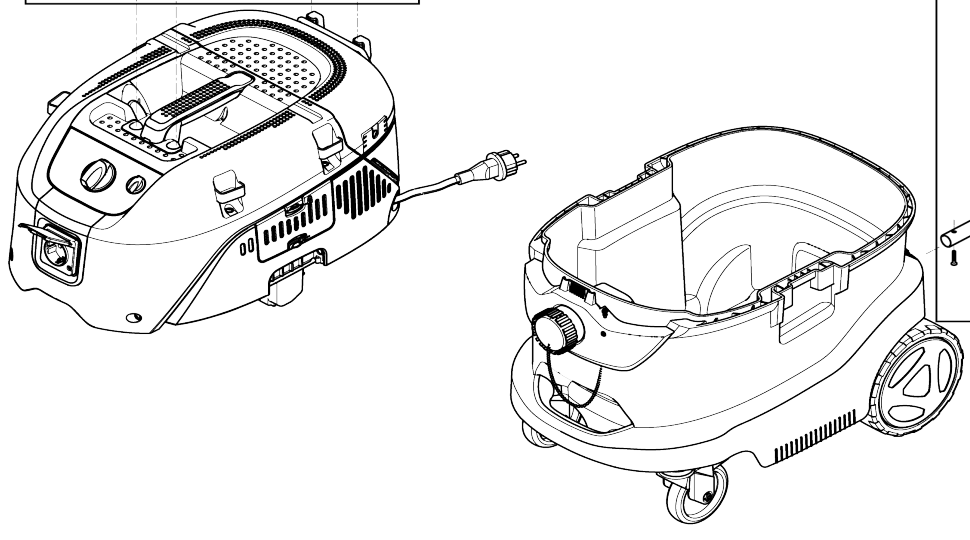
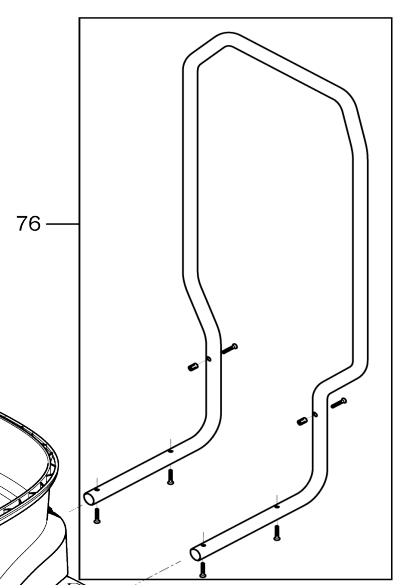
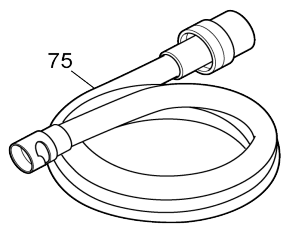
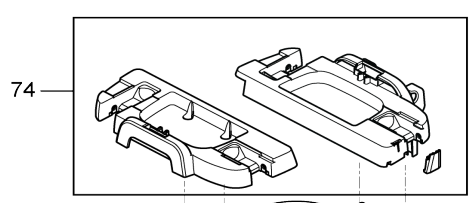
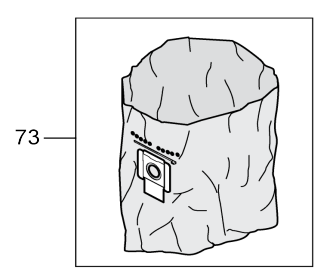
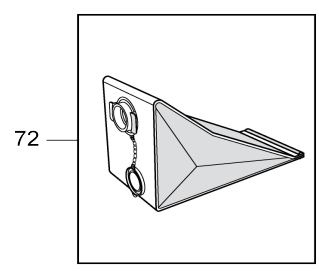
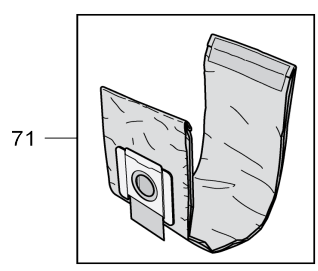
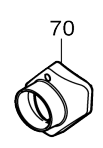
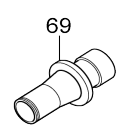
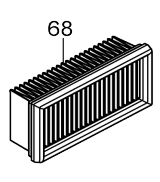
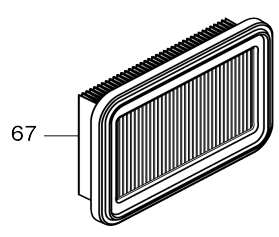
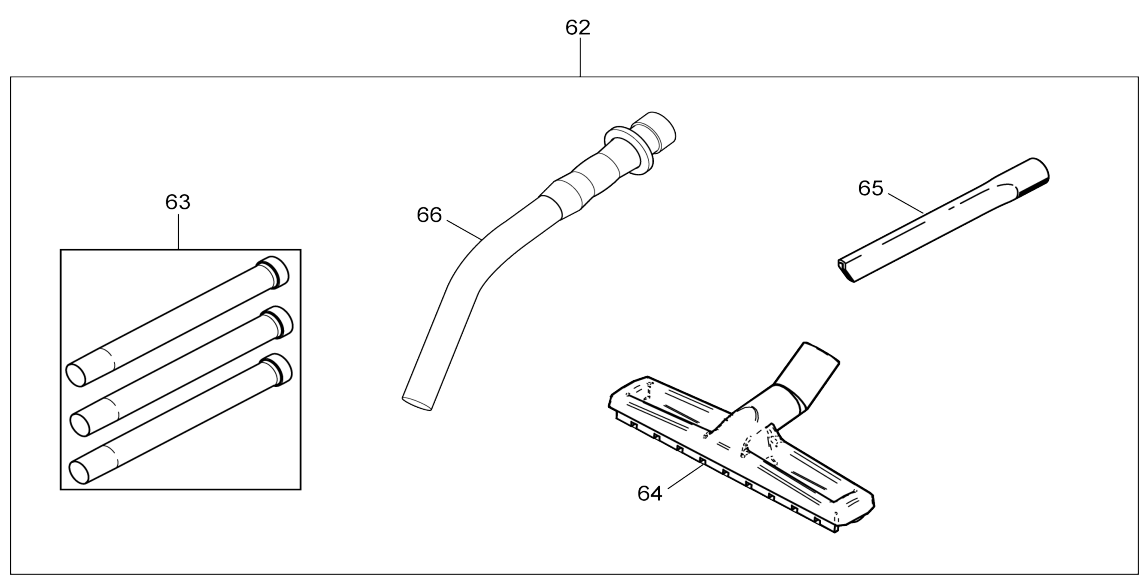
Model No.VC4210L VACUUM CLEANER



Model No.VC4210L VACUUM CLEANER



Model No.VC4210L VACUUM CLEANER



Model No.VC4210L VACUUM CLEANER

Item No.	Parts No.	Description	Interchangability	Q'ty	New/Old	Note1	Note2
001	W909100222	SWITCH KNOB MAKITA BLUE		1			
002	W9868	O-RING 10x2.5 NBR70		1			
003	W107415085	ROTARY SWITCH 5POS. 16A		1			
004	W107415024	POTENTIOMETER		2			
005	W107415080	CAP FOR POTENTIOMETER		1			
006	W107417587	O-RING 16X2		1	*		
007	W107418673	SWITCH KNOB		1	*		
007-1	W107416106	SWITCH KNOB	S	1			
008	W302004034	SOCKET *EU* - CEE7/4		1			
009	W107418664	CONTROL PANEL		1			
010	W107418217	HANDLE KIT		1			
D10		INC. 11					
011	W128500203	SCREW K50X45		3			
012	W107418665	MAKITA TOP COVER		1			
013	W302004029	SCREW 5X18 TX20		4			
014	W302004029	SCREW 5X18 TX20		2			
015	W107418666	UPPER COVER		1			
016	W302004029	SCREW 5X18 TX20		2			
017	W107415035	CORD STRAP FOR CABLE		1			
018	W107415032	HATCH DOOR CLAMP		1			
019	W107418667	LOWER COVER		1	*		
019-1	W107415029	LOWER COVER	X	1			
020	W107415083	HOSE/CABLE HOOK		2			
D10		INC. 21					
021	W302004029	SCREW 5X18 TX20		2			
022	W107418668	MAKITA CONTROL PANEL LABEL		1			
023	W107418665	MAKITA TOP COVER		1	*		
D10		INC. 24,26-29					
023-1	W107415027	FILTER RETAINER ASSY 220-240V	X	1			
D10		INC. 24,26-29					
024	W107415031	SOLENOID KIT 220-240V		1			
D10		INC. 25					
025	W302004029	SCREW 5X18 TX20		2			
026	W302004029	SCREW 5X18 TX20		7			
027	W302004032	SCREW 3,5X18 TX10		2			
028	W5697	STRAP 3X8X33		1			
029	W107415090	HATCH DOOR FILTER GASKET		1			
030	W107413540	MAKITA FLAT FILTER		1			
031	W107417101	FOAM SEALING 298X148		1			
032	W107415075	HINGE SNAP 2PCS.		1			
033	W107415060	REED SENSOR		1			
034	W107415094	PCBA AUTO ON/OFF 220-240V		1			
035	W107415096	DIFFUSOR		1			
036	W107418669	AIRGUIDE		1	*		
036-1	W107415052	COVER FOR MOTOR COOLING FILTER	X	1			
037	W107415055	MOTOR 220-240V		1			
038	W107418670	AIRGUIDE		1	*		

038-1	W107418669	AIRGUIDE	X	1		
039	W302004029	SCREW 5X18 TX20		10		
040	W107417112	SOUND ABSORBER 83X55X35		1		
041	W302004032	SCREW 3,5X18 TX10		2		
042	W302004030	STRAP FOR CORD		1		
043	W302004031	TERMINAL STRIP 6-POL 16A		1		
044	W107415053	CONTAINER CLAMP		2		
045	W107400573	POWER CORD EU		1		
046	W107417113	CONTACT SPRING W.WIRE		2		
047	W107415063	FLOATER WITH MAGNET		1		
048	W107415061	AIR FLOW COVER KIT		1		
D10		INC. 49				
049	W1814614	PT-SCREW K50X18 T20		4		
050	W107415074	BASE PLATE ASSEMBLY		1		
D10		INC. 51				
051	W107415050	CONTAINER SEALING		1		
052	W107418663	MAKITA CONTAINER 42L		1	*	
D10		INC. 53,54				
052-1	W107418663	MAKITA CONTAINER 42L	O	1		
D10		INC. 53,54,56-61				
053	W107417124	HANDLE INNER		1		
054	W302004029	SCREW 5X18 TX20		2		
055	W302004200	LABEL >DUST CLASS L<		1		
056	W107417573	CASTOR WHEEL D100 W.BRAKE 2 PCS		1		
057	W107417864	SCREW K50X35 T20		1		
058	W302004022	WHEEL AXLE		1		
059	W107417121	WHEEL D175		2		
060	W47302	CLAMPING RING FOR WHEEL		2		
061	W107418043	WHEEL CAP D145		2		
062	W107418349	MAKITA CLEANING SET		1		
D10		INC. 63-66				
063	W107418350	MAKITA EXTENSION TUBES		3		
064	P-81789	FLOOR NOZZLE D36X300 WET/DRY		1		
065	W6084	CREVICE NOZZLE 35x300		1		
066	P-70346	CURVED HAND TUBE INOX		1		
067	W107418351	PTFE FLAT FILTER VC4210L/M		1		
068	W107418352	MOTOR COOLING FILTER PET		1		
069	P-70378	TOOL ADAPTER 27 QUICKSYSTEM		1		
070	W107418358	EXHAUST AIR ADAPTER		1		
071	W107418353	FLEECE FILTER BAGS VC4210L/M		5		
072	W107418354	LONG-LIFE FILTER BAG		1		
C10	W107419626	C-PROFILE		1		
073	W107418355	DISPOSAL BAGS		5		
074	W107418357	MAK PAC HOLDER		2		
075	P-70421	ADAPTOR 35/38		1	*	
D10		INC. 078				
075-1	P-84084	SUCTION HOSE 32MM4M BLK AS CPL	X	1		
D10		INC. 078				

076	W107418356	METAL HANDLE		1		
077	W107418688	TOOL ADAPTER 38		1		
078	W107417866	HOSE CONNECTOR CLICK SYSTEM 32		1		
A01	W107418678	TOOL ADAPTOR 22 REGULATION		1		
A02	P-70421	ADAPTOR 35/38		1		

Please state Parts No. when your order.

Print Date 09/07/2024