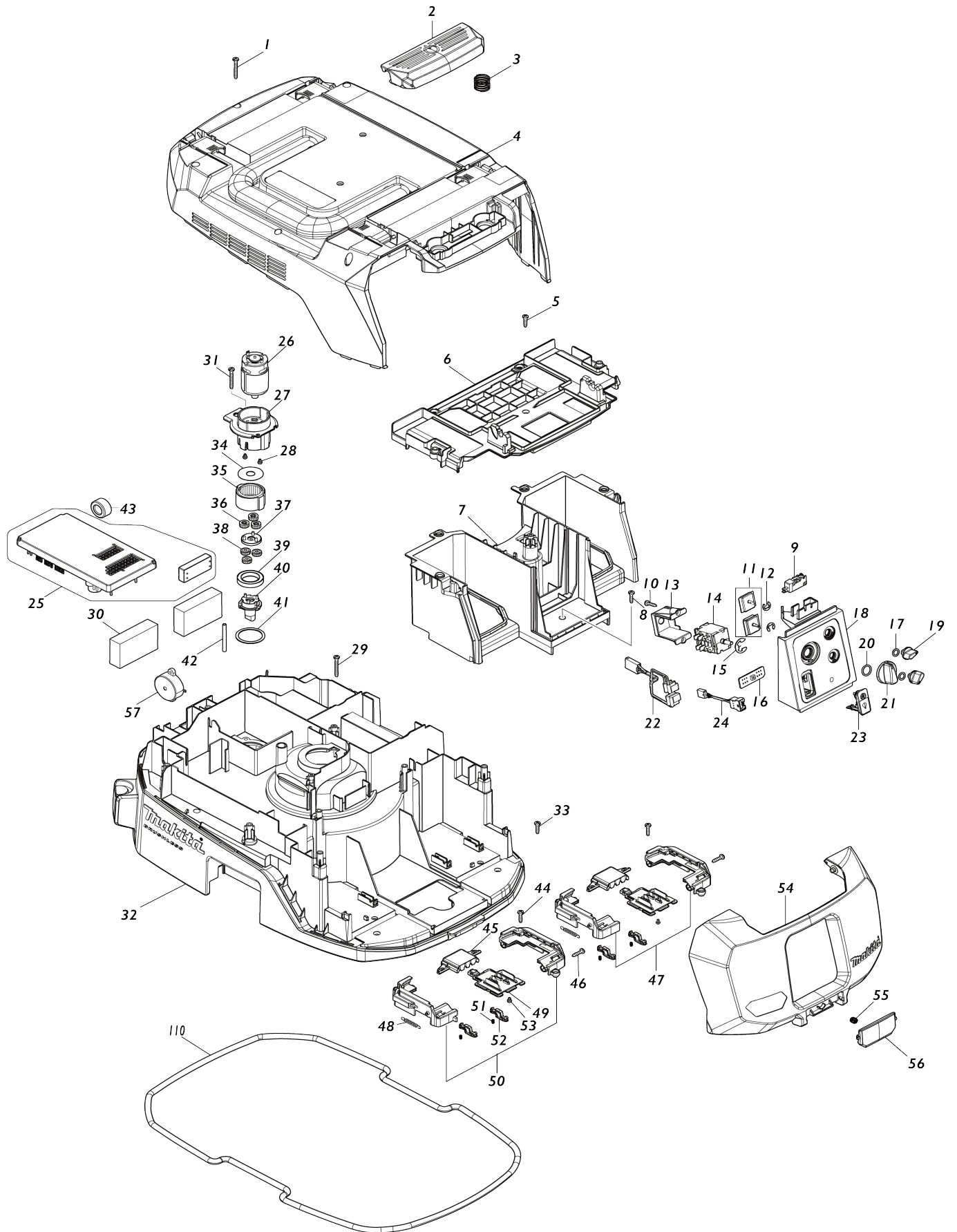
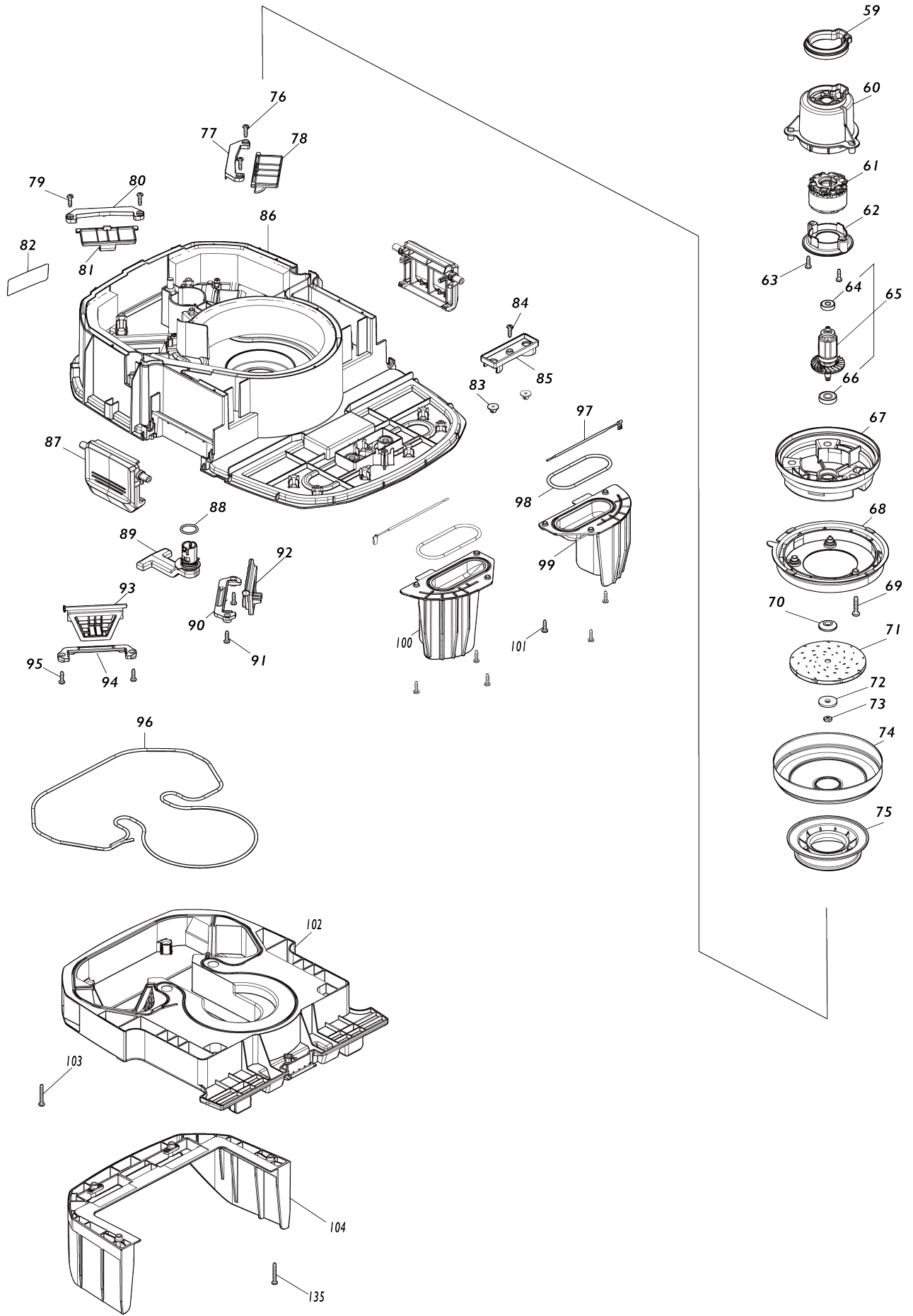


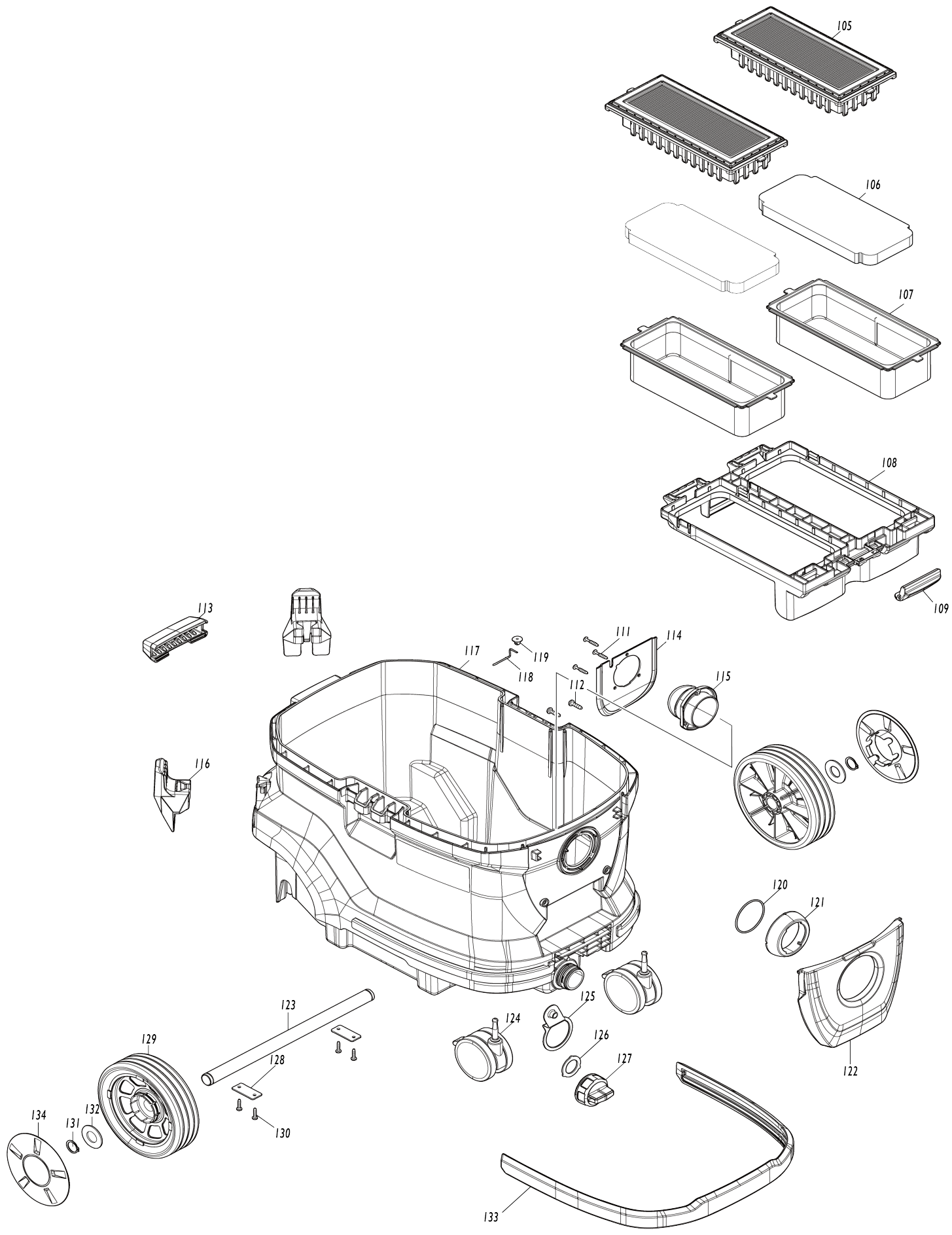
Model No.VC006GM CORDLESS VACUUM CLEANER



Model No.VC006GM CORDLESS VACUUM CLEANER



Model No.VC006GM CORDLESS VACUUM CLEANER



Model No.VC006GM CORDLESS VACUUM CLEANER

| Item No. | Parts No. | Description | Interchangability | Q'ty | New/Old | Note1 | Note2 |
|----------|-----------|------------------------|-------------------|------|---------|-------|-------|
| 001 | 266351-3 | TAPPING SCREW 4X35 | | 9 | | | |
| 002 | 413B26-9 | SWITCH BUTTON | | 1 | | | |
| 003 | 234273-5 | COMPRESSION SPRING 20 | | 2 | | | |
| 004 | 141L64-8 | COWLING COMPLETE | | 1 | | | |
| C10 | 8059E1-0 | CAUTION LABEL | | 1 | | | |
| C20 | 413K73-4 | GRIP | | 1 | | | |
| C30 | 413K74-2 | LATCH | | 4 | | | |
| 005 | 266326-2 | TAPPING SCREW 4X18 | | 1 | | | |
| 006 | 413K69-5 | UPPER HOUSING | | 1 | | | |
| 007 | 413K68-7 | LOWER HOUSING | | 1 | | | |
| 008 | 266326-2 | TAPPING SCREW 4X18 | | 1 | | | |
| 009 | 651910-0 | SWITCH D2VW-01-3HS | | 1 | | | |
| 010 | 266326-2 | TAPPING SCREW 4X18 | | 2 | | | |
| 011 | 620H02-4 | DIAL CIRCUIT | | 1 | | | |
| 012 | 961013-5 | STOP RING E-7 | | 2 | | | |
| 013 | 451343-7 | SWITCH HOLDER | | 1 | | | |
| 014 | 650014-5 | SWITCH 1703.4803 | | 1 | | | |
| 015 | 961062-2 | STOP RING E-12 | | 1 | | | |
| 016 | 620F40-4 | INDICATION CIRCUIT | | 1 | | | |
| 017 | 213054-0 | O RING 9 | | 2 | | | |
| 018 | 141L60-6 | SWITCH BASE A COMPLETE | | 1 | | | |
| C10 | 8056M2-6 | INDICATION LABEL | | 1 | | | |
| 019 | 451344-5 | SWITCH DIAL | | 2 | | | |
| 020 | 213176-6 | O RING 14 | | 1 | | | |
| 021 | 451342-9 | SWITCH LEVER | | 1 | | | |
| 022 | 638A19-1 | LEAD UNIT | | 1 | | | |
| 023 | 141L63-0 | CAP COMPLETE | | 1 | | | |
| 024 | 632L47-4 | CONNECTOR UNIT | | 1 | | | |
| 025 | 620G99-7 | CONTROLLER | | 1 | | | |
| 026 | 629B77-4 | DC MOTOR | | 1 | | | |
| 027 | 454207-4 | GEAR CASE | | 1 | | | |
| 028 | 911003-8 | PAN HEAD SCREW M3X6 | | 2 | | | |
| 029 | 266351-3 | TAPPING SCREW 4X35 | | 6 | | | |
| 030 | 422929-4 | REAR BLOCK FILTER | | 2 | | | |
| 031 | 266351-3 | TAPPING SCREW 4X35 | | 2 | | | |
| 032 | 141L58-3 | SEPARATOR COMPLETE | | 1 | | | |
| 033 | 266326-2 | TAPPING SCREW 4X18 | | 2 | | | |
| 034 | 267067-3 | FLAT WASHER 12 | | 1 | | | |
| 035 | 226285-2 | INTERNAL GEAR 42 | | 1 | | | |
| 036 | 226283-6 | SPUR GEAR 15 | | 3 | | | |
| 037 | 153228-0 | SPUR GEAR 9 COMPLETE | | 1 | | | |
| 038 | 226284-4 | SPUR GEAR 15 | | 3 | | | |
| 039 | 211375-4 | BALL BEARING 6805LLB | | 1 | | | |
| 040 | 135554-9 | SPINDLE ASSEMBLY | | 1 | | | |
| 041 | 267464-3 | FLAT WASHER 34 | | 1 | | | |
| 042 | 684990-1 | VINYL TUBE | | 1 | | | |
| 043 | 688131-1 | LINE FILTER | | 1 | * | | |

| | | | | | | |
|-------|----------|----------------------|---|---|---|--|
| 043-1 | 688131-1 | LINE FILTER | O | 1 | | |
| 044 | 266326-2 | TAPPING SCREW 4X18 | | 4 | | |
| 045 | 413B40-5 | TERMINAL COVER | | 2 | | |
| 046 | 266326-2 | TAPPING SCREW 4X18 | | 4 | | |
| 047 | 183U06-0 | TERMINAL CASE SET | | 1 | | |
| 048 | 232722-6 | TENSION SPRING 4 | | 4 | | |
| 049 | 632T08-2 | TERMINAL UNIT | | 2 | | |
| 050 | 183W98-1 | TERMINAL CASE SET | | 1 | | |
| 051 | 232472-3 | COMPRESSION SPRING 2 | | 4 | | |
| 052 | 413B41-3 | LOCK LEVER | | 4 | | |
| 053 | 652031-1 | PAN HEAD SCREW M3X6 | | 4 | | |
| 054 | 183X55-5 | BATTERY COVER SET | | 1 | | |
| C10 | 8059D9-7 | XGT LOGO LABEL | | 1 | | |
| 055 | 231456-8 | COMPRESSION SPRING 7 | | 1 | | |
| 056 | 413K71-8 | BATTERY COVER HOOK | | 1 | | |
| 057 | 620J90-3 | BUZZER CIRCUIT | | 1 | | |
| 059 | 422926-0 | RUBBER RING | | 1 | | |
| 060 | 413K59-8 | MOTOR HOUSING | | 1 | | |
| 061 | 629B75-8 | STATOR | | 1 | | |
| 062 | 413K60-3 | BAFFLE PLATE | | 1 | | |
| 063 | 266326-2 | TAPPING SCREW 4X18 | | 2 | | |
| 064 | 210022-4 | BALL BEARING 626DDW | | 1 | | |
| 065 | 519777-1 | ROTOR ASS'Y | | 1 | * | |
| D10 | | INC. 64,66 | | | | |
| 065-1 | 519777-1 | ROTOR ASS'Y | O | 1 | | |
| D10 | | INC. 64,66 | | | | |
| 066 | 211491-2 | BALL BEARING 609DDW | | 1 | | |
| 067 | 413K61-1 | BASE | | 1 | | |
| 068 | 413K62-9 | FAN BASE | | 1 | | |
| 069 | 266173-1 | TAPPING SCREW 5X30 | | 3 | | |
| 070 | 313062-2 | FLANGE | | 1 | | |
| 071 | 240178-9 | FAN 104 | | 1 | | |
| 072 | 253752-4 | FLAT WASHER 8 | | 1 | | |
| 073 | 252268-6 | HEX. NUT M6 | | 1 | | |
| 074 | 347A40-6 | FAN COVER | | 1 | | |
| 075 | 422793-3 | SUPPORT RING | | 1 | | |
| 076 | 266326-2 | TAPPING SCREW 4X18 | | 2 | | |
| 077 | 413K91-2 | OUTER VALVE HOLDER | | 1 | | |
| 078 | 141L70-3 | OUTER VALVE COMPLETE | | 1 | | |
| 079 | 266326-2 | TAPPING SCREW 4X18 | | 2 | | |
| 080 | 413K91-2 | OUTER VALVE HOLDER | | 1 | | |
| 081 | 141L70-3 | OUTER VALVE COMPLETE | | 1 | | |
| 082 | 8581G7-3 | VC006GM NAME PLATE | | 1 | | |
| 083 | 421468-1 | CORD SEAL | | 2 | | |
| 084 | 266326-2 | TAPPING SCREW 4X18 | | 1 | | |
| 085 | 413K94-6 | SEAL STOPPER | | 1 | | |
| 086 | 141L68-0 | TANK COVER COMPLETE | | 1 | | |
| 087 | 413K83-1 | HOOK | | 2 | | |
| 088 | 213304-3 | O RING 20 | | 1 | | |
| 089 | 413K93-8 | CAM | | 1 | | |
| 090 | 413K92-0 | INNER VALVE HOLDER | | 1 | | |
| 091 | 266326-2 | TAPPING SCREW 4X18 | | 2 | | |

| | | | | | | |
|-----|----------|--------------------------|--|---|--|--|
| 092 | 141L71-1 | INNER VALVE COMPLETE | | 1 | | |
| 093 | 141L71-1 | INNER VALVE COMPLETE | | 1 | | |
| 094 | 413K92-0 | INNER VALVE HOLDER | | 1 | | |
| 095 | 266326-2 | TAPPING SCREW 4X18 | | 2 | | |
| 096 | 422944-8 | SEAL RING A | | 1 | | |
| 097 | 638A41-8 | LEAD UNIT | | 2 | | |
| 098 | 422932-5 | SEAL RING B | | 2 | | |
| 099 | 413K75-0 | FRONT STAND L | | 1 | | |
| 100 | 413K76-8 | FRONT STAND R | | 1 | | |
| 101 | 266326-2 | TAPPING SCREW 4X18 | | 6 | | |
| 102 | 413K84-9 | INNER COVER | | 1 | | |
| 103 | 266351-3 | TAPPING SCREW 4X35 | | 4 | | |
| 104 | 413K85-7 | REAR STAND | | 1 | | |
| 105 | 1911B6-0 | POWDER FILTER M SET | | 2 | | |
| 106 | 1911B4-4 | DAMPER SET | | 2 | | |
| 107 | 1911B5-2 | PRE FILTER SET | | 2 | | |
| 108 | 413K86-5 | TOP PLATE | | 1 | | |
| 109 | 127480-6 | LATCH ASSEMBLY | | 1 | | |
| 110 | 422943-0 | SEAL RING C | | 1 | | |
| 111 | 266374-1 | TAPPING SCREW 4X25 | | 3 | | |
| 112 | 266420-0 | TAPPING SCREW 5X20 | | 2 | | |
| 113 | 422934-1 | BUMPER B | | 1 | | |
| 114 | 457853-2 | HOLDER PLATE | | 1 | | |
| 115 | 457852-4 | HOLDER | | 1 | | |
| 116 | 413K78-4 | HOSE HOOK | | 2 | | |
| 117 | 141L65-6 | TANK COMPLETE | | 1 | | |
| C10 | 800W80-2 | CAUTION LABEL | | 1 | | |
| 118 | 649150-2 | EARTH LINE 120 | | 1 | | |
| 119 | 421468-1 | CORD SEAL | | 1 | | |
| 120 | 213655-4 | O RING 56 | | 1 | | |
| 121 | 457851-6 | INLET | | 1 | | |
| 122 | 413K81-5 | INLET COVER | | 1 | | |
| 123 | 327A50-9 | JOINT PIPE 20-343 | | 1 | | |
| 124 | 168547-1 | CASTER 75 | | 2 | | |
| 125 | 457862-1 | DRAIN BELT | | 1 | | |
| 126 | 422179-1 | SEAL | | 1 | | |
| 127 | 457861-3 | DRAIN CAP | | 1 | | |
| 128 | 347A42-2 | PLATE | | 2 | | |
| 129 | 413K79-2 | CASTER 170 | | 2 | | |
| 130 | 266326-2 | TAPPING SCREW 4X18 | | 4 | | |
| 131 | 961060-6 | RETAINING RING S-20 | | 2 | | |
| 132 | 267299-2 | FLAT WASHER 20 | | 2 | | |
| 133 | 422933-3 | BUMPER A | | 1 | | |
| 134 | 413K80-7 | WHEEL CAP | | 2 | | |
| 135 | 266351-3 | TAPPING SCREW 4X35 | | 4 | | |
| A01 | 199455-5 | NOZZLE ASSEMBLY SET | | 1 | | |
| A02 | 195433-3 | HOSE COMPLETE 28-3.5 SET | | 1 | | |
| C10 | 417191-4 | CUFF LOCK | | 1 | | |
| C20 | 417586-1 | STOPPER | | 1 | | |
| C30 | 417662-1 | SLEEVE | | 1 | | |
| C40 | 417766-9 | FRONT CUFF 38 | | 1 | | |
| | | | | | | |

| | | | | | | |
|-----|----------|------------------------------|--|---|--|--|
| C50 | 417765-1 | FRONT CUFF 22 | | 1 | | |
| C60 | 424379-9 | FRONT CUFF 24 | | 1 | | |
| A03 | 195434-1 | HOSE COMPLETE 38-2.5 SET | | 1 | | |
| C10 | 417191-4 | CUFF LOCK | | 1 | | |
| C20 | 417306-3 | SLEEVE | | 2 | | |
| C30 | 417307-1 | FRONT CUFF | | 1 | | |
| C40 | 417586-1 | STOPPER | | 2 | | |
| A04 | 1910Y4-9 | FILTER BAG SET | | 1 | | |
| A05 | 192563-1 | STRAIGHT PIPE SET 565-38 | | 1 | | |
| A06 | 192562-3 | BENDING PIPE | | 1 | | |
| A07 | 410306-2 | CORNER NOZZLE | | 1 | | |
| A08 | 195547-8 | FRONT CUFF 22 SET | | 1 | | |
| A09 | 195546-0 | FRONT CUFF 24 SET | | 1 | | |
| A10 | 422A02-6 | CAP | | 1 | | |
| A11 | 451350-0 | STOPPER | | 1 | | |
| A12 | 911138-5 | P.H.SCREW M4X20 WITH WR | | 1 | | |
| A13 | 198900-7 | WIRELESS UNIT SET | | 1 | | |
| F08 | 1910N0-0 | FILTER FOR WATER SET | | 1 | | |
| F96 | 422A02-6 | CAP | | 1 | | |
| G09 | 1912G4-5 | TELESCOPIC PIPE COMPLETE SET | | 1 | | |
| G10 | 1912G5-3 | BENT PIPE COMPLETE SET | | 1 | | |
| G11 | 413R35-4 | STOPPER | | 1 | | |

Please state Parts No. when your order.

Print Date 06/11/2024